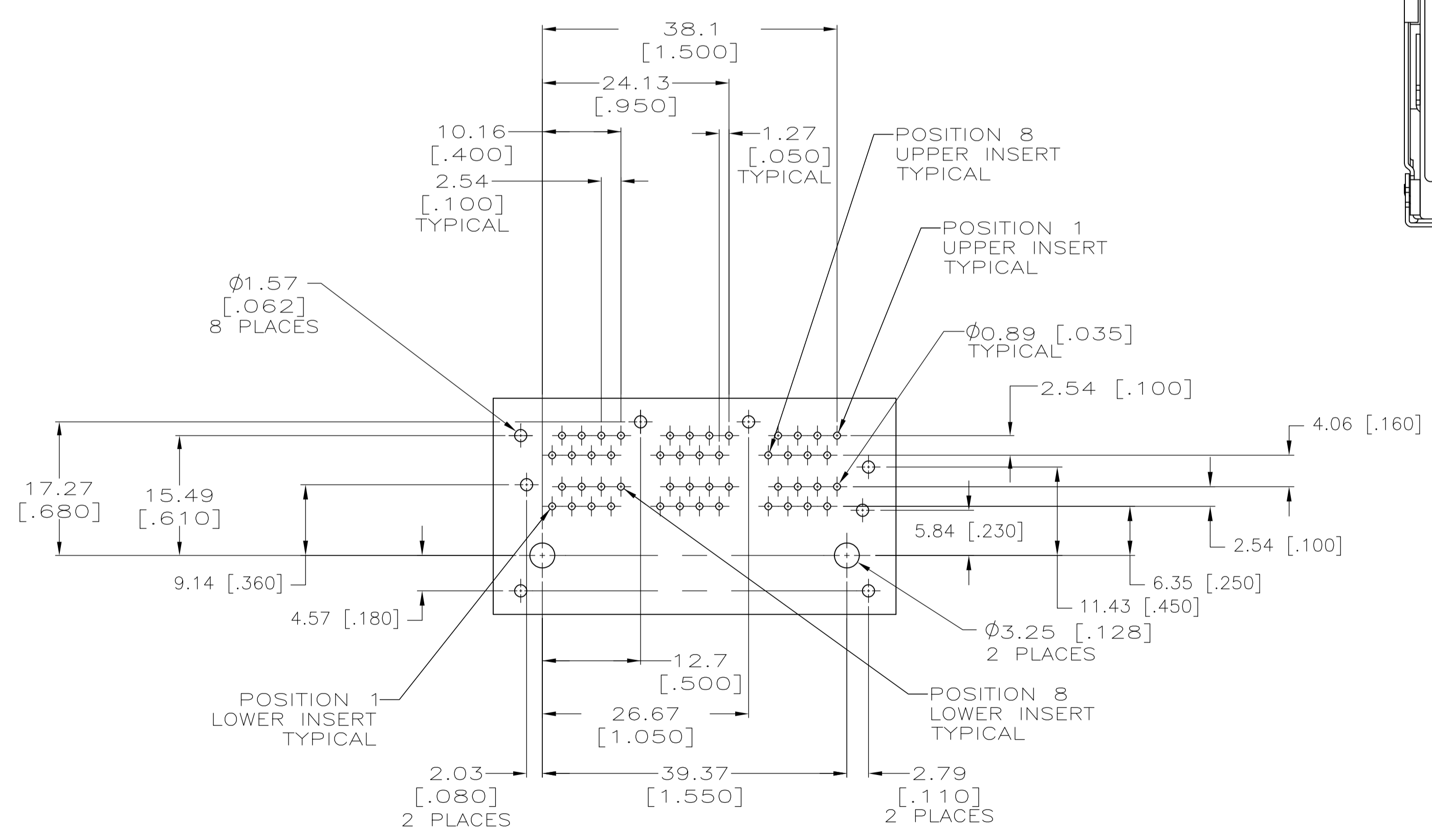
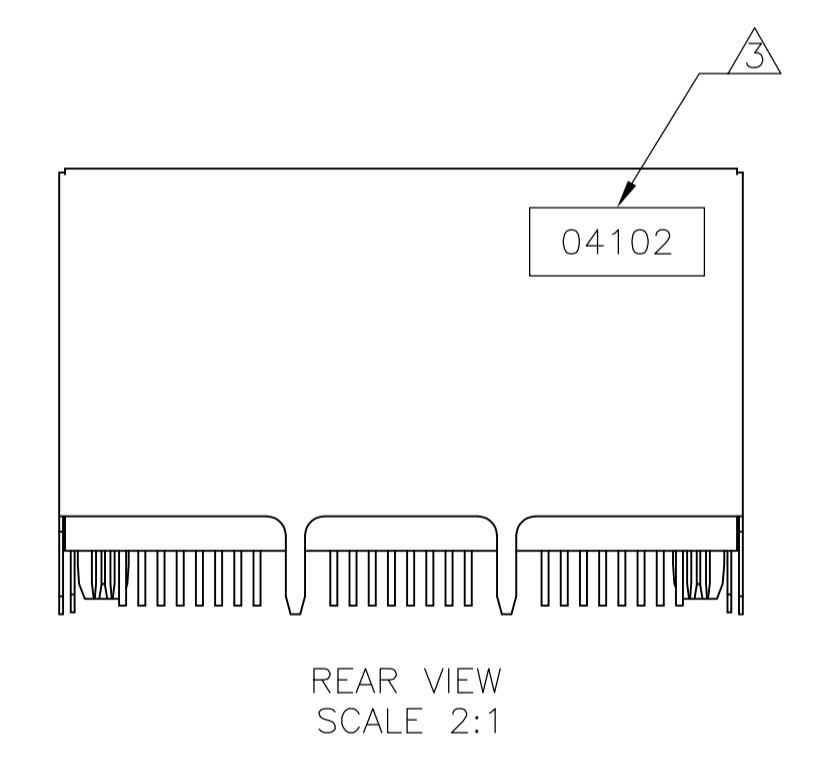
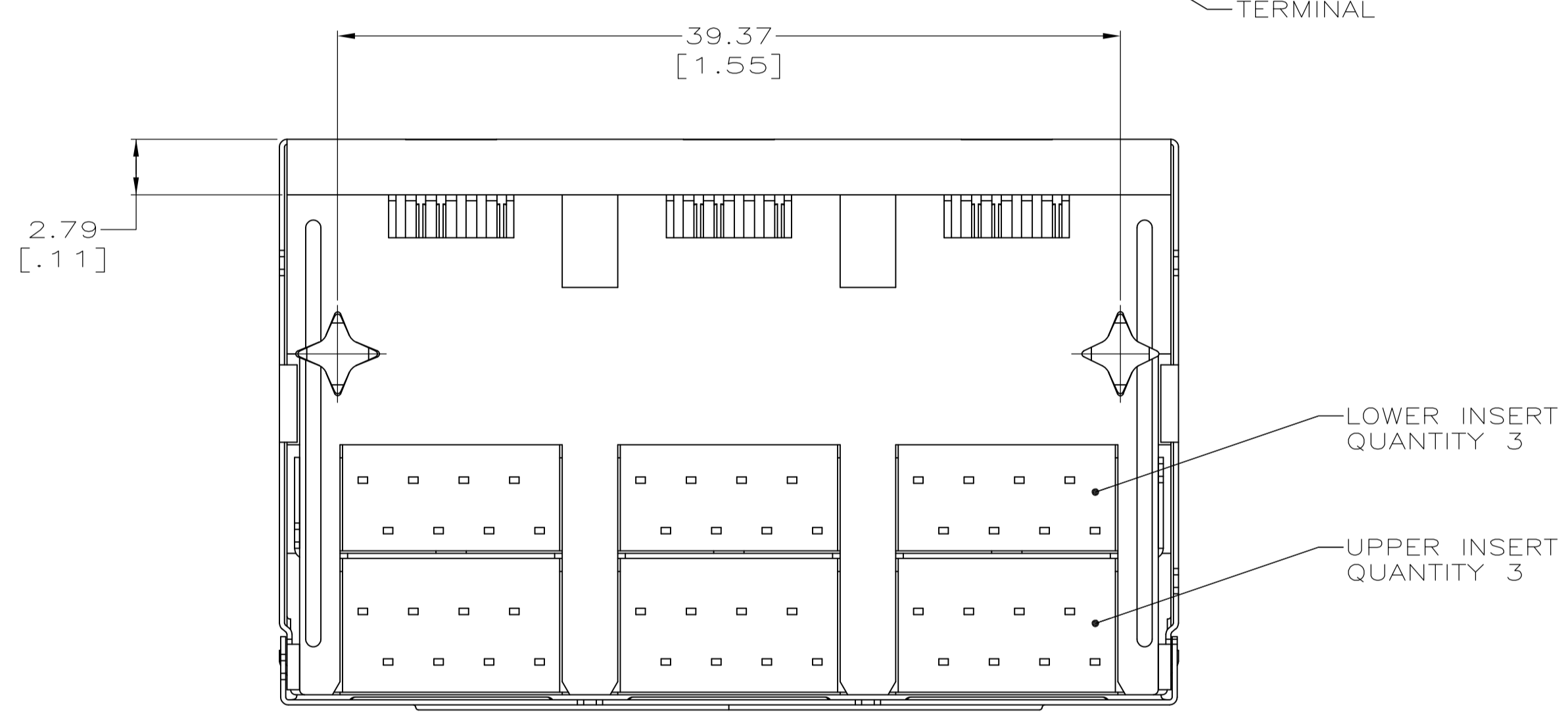
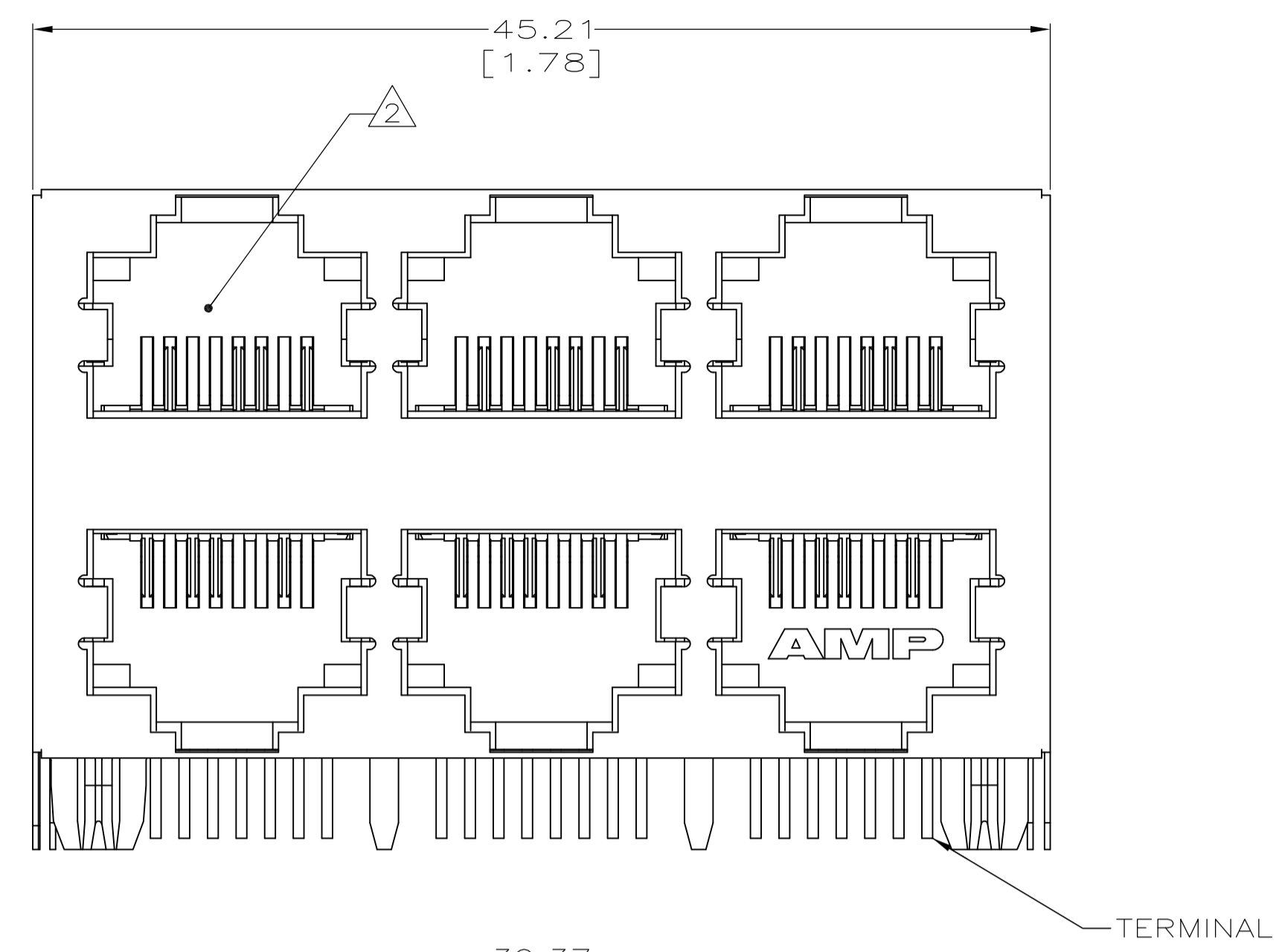
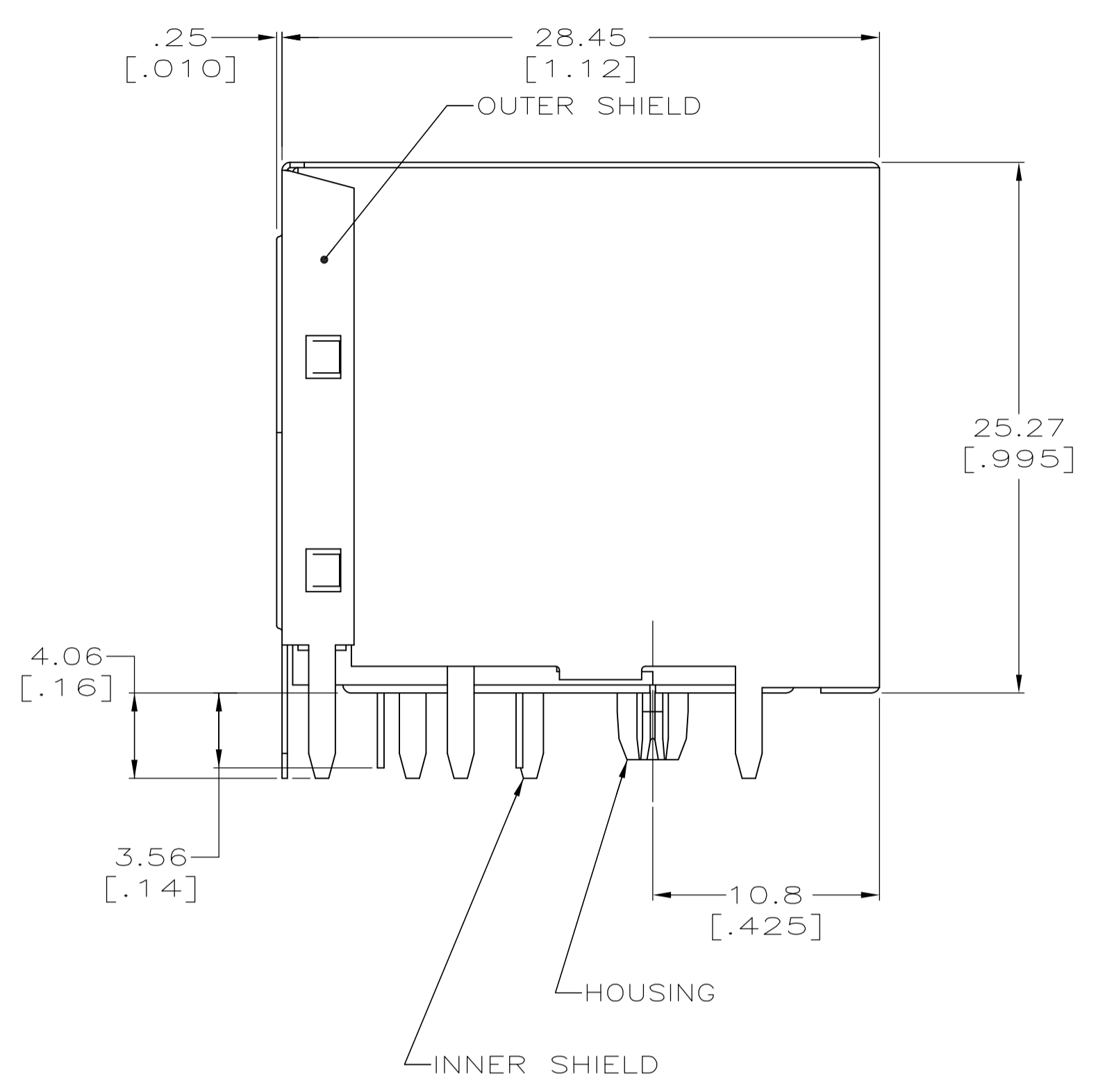
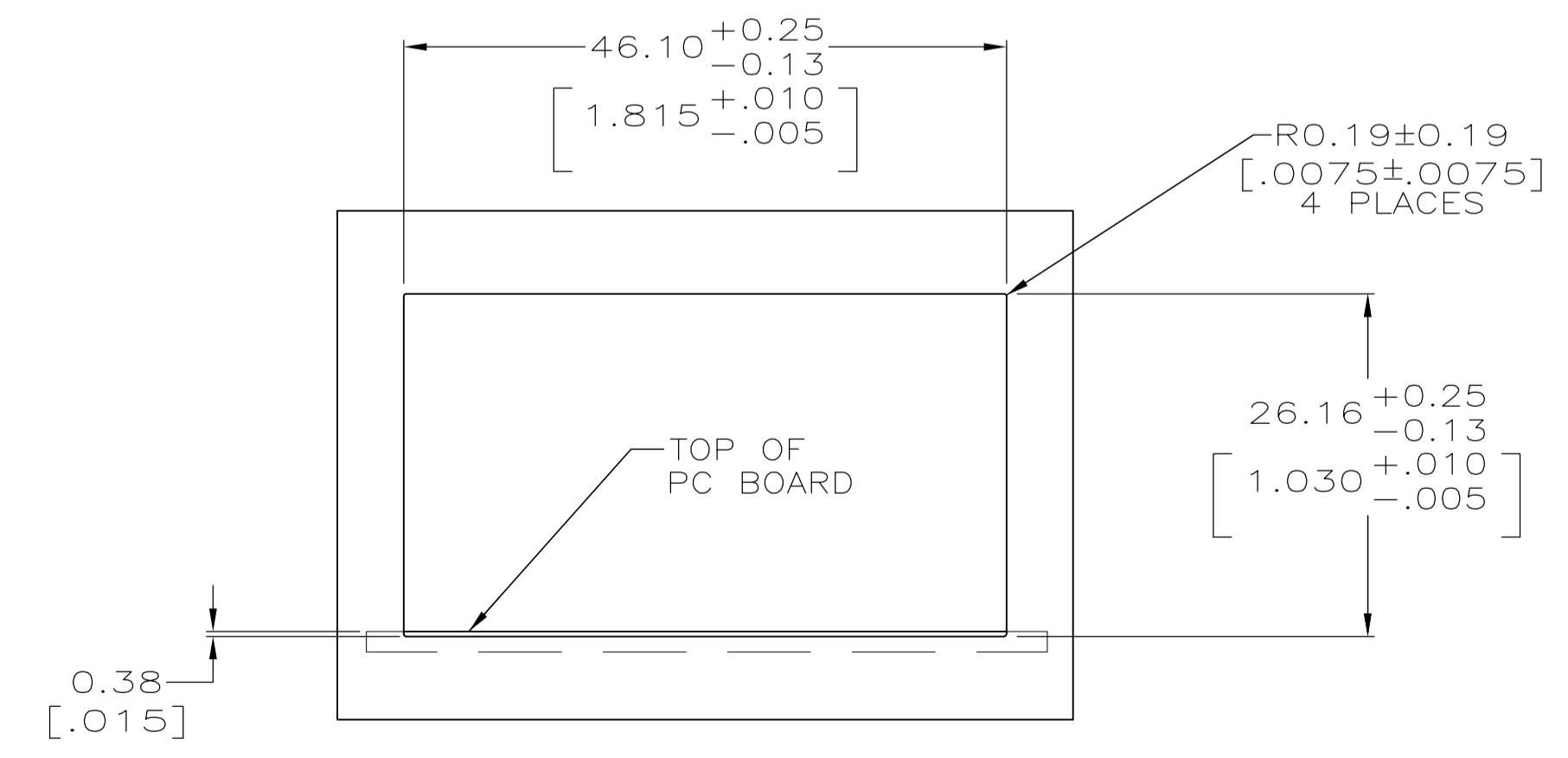


| LOC | | DIST | | REVISIONS | | | |
|-----|----|------|-----|-----------------------|---------|-----|------|
| AA | 22 | F | LTR | DESCRIPTION | DATE | DWN | APVD |
| A1 | | | | REVISED ECR-08-031628 | 03DEC08 | AZ | SY |



PC BOARD LAYOUT VIEWED FROM COMPONENT SIDE SCALE 2:1



SUGGESTED PANEL CUTOUT DIMENSIONS SCALE 2:1

△ MATERIAL:
 HOUSING - PCT POLYESTER, BLACK, UL94V-0.
 OVERMOLDED TERMINAL ARRAY - PBT, BROWN.
 TERMINALS - 0.33 [.013] THICK PHOS BRONZE PLATED WITH 1.27um [.000050] MIN THICK HARD GOLD IN LOCALIZED AREA AND 3.81um [.000150] MIN THICK MATTE TIN IN SOLDER AREA OVER 1.27um [.000050] MIN THICK NICKEL UNDERPLATE.
 SHIELDS - 0.25 [.010] THICK COPPER ALLOY PLATED WITH 1.27 um [.000050] MINIMUM NICKEL AND 2.03 um [.000080] MINIMUM HOT TIN DIP ON PCB GROUND TABS.

△ JACK CAVITY CONFORMS TO FCC RULES AND REGULATIONS, PART 68 SUBPART F.

△ DATE CODE LOCATED ON REAR OF PART APPROXIMATELY AS SHOWN:
 FIRST 2 DIGITS ARE LAST 2 DIGITS OF YEAR, SECOND 2 DIGITS ARE MANUFACTURING WORK WEEK, LAST DIGIT IS DAY OF WEEK, WITH SUNDAY = 1.

5569256-1
 PART NUMBER

| | | | |
|--|----------|----------------------------------|---|
| THIS DRAWING IS A CONTROLLED DOCUMENT. | | DIN A. FERNANDEZ-DICKS 15JUN2005 | Tyco Electronics Corporation Harrisburg, PA 17105-3608 |
| DIMENSIONS: mm [INCHES] | | CHK J. WESTMAN 15JUN2005 | |
| TOLERANCES UNLESS OTHERWISE SPECIFIED: | | APVD S. FLICKINGER 15JUN2005 | NAME |
| 0 PLC ± - | | | STACKED MODULAR JACK ASSEMBLY, 2 X 3 PORT, 8 POSITION, SHIELDED, PRINTED CIRCUIT BOARD GROUND, CATEGORY 5 |
| 1 PLC ± - | | | PRODUCT SPEC |
| 2 PLC ± 0.25(.01) | | | 108-1163-2 |
| 3 PLC ± 0.13(.005) | | | APPLICATION SPEC |
| 4 PLC ± - | | | 114-2048 |
| ANGLES ± - | | | SIZE CAGE CODE DRAWING NO |
| MATERIAL △ | FINISH △ | WEIGHT - | A1 00779 C=5569256 |
| | | CUSTOMER DRAWING | SCALE 4:1 SHEET 1 OF 1 REV A1 |